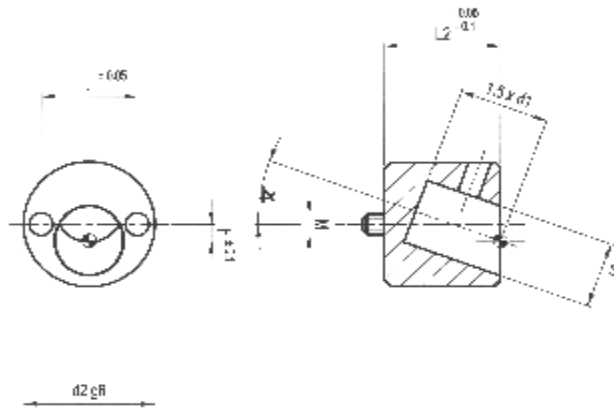




## TILTED COLUMN SUPPORT

7° - 10° - 12° - 15° - 18° - 20° - 22°



CS SUPPORT					
d1	d2	L2	j	h	M
12	24	22	17,5	2,5	4
16	30	28	22,5	3	5
20	38	36	28	4	6
25	48	45	36	5	8
30	58	55	43	6	10

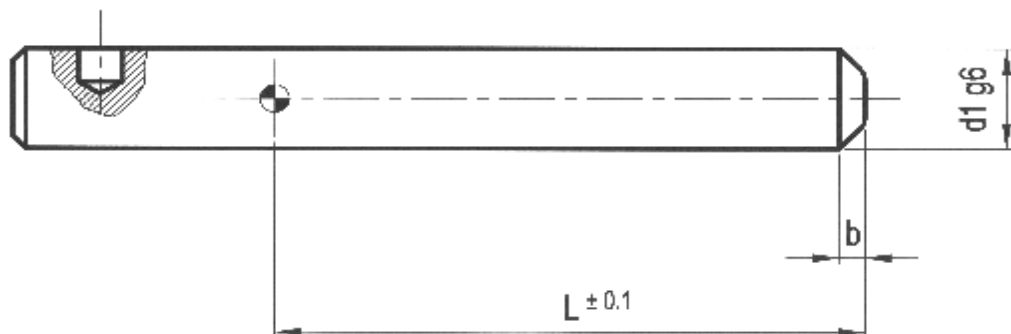
ALL OF THE BENC MARKS IN THE DIMENSION TABLE ARE VALID FOR ANY OF THE AVAILABLE DEGREES: 7°, 10°, 12°, 15°, 18°, 20° Y 22°

Way of order: CS + Angul + Ø Column

Materials: Base support 1.2312, Column 1.5732 58-60 HRc, Screw 12-9

Please ask for other diameters and lengths different to the anes included in this catalogue.

## TILTED COLUMN CP



TILTED COLUMN CP									
d1	b	L1							
		50	75	100	125	150	175	200	250
12	4	●	●	●	●				
16	6		●	●	●	●			
20	6			●	●	●	●		
25	6				●	●	●	●	
30	8					●	●	●	●

Way of order: CP + Ø Column + Length column L1

Materials: 1,5732 58-60 HRc

Please ask for other diameters and lengths different to the anes included in this catalogue.