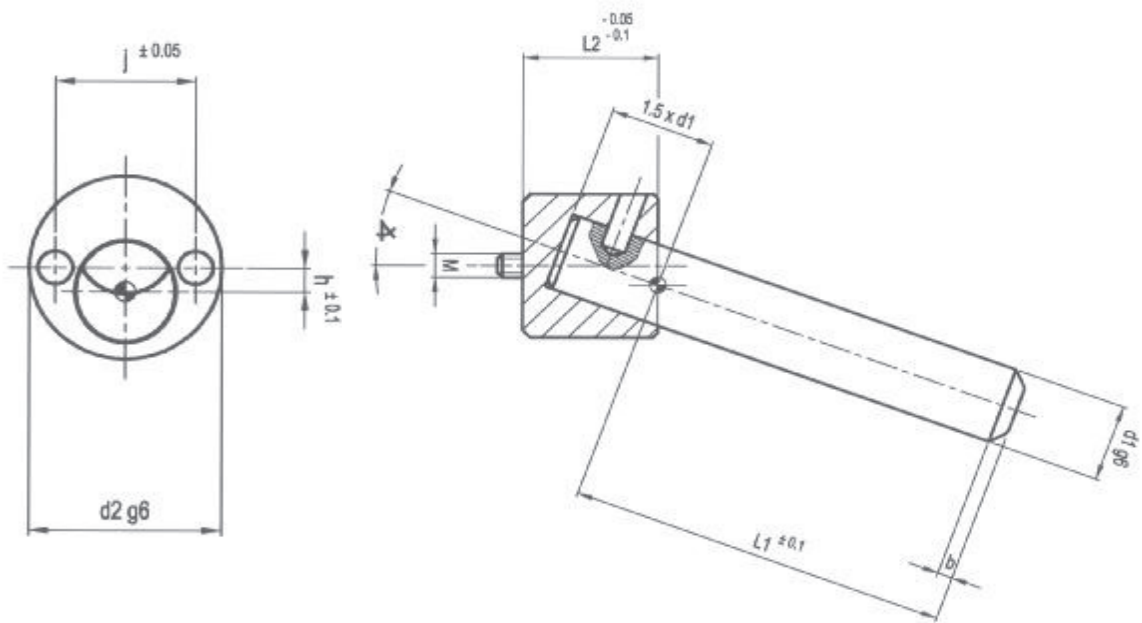




INCLINED ASSEMBLY REF. CI

7° - 10° - 12° - 15° - 18° - 20° - 22°



ALL OF THE BENCH MARKS IN THE DIMENSION TABLE ARE VALID FOR ANY OF THE AVAILABLE DEGREES: 7°, 10°, 12°, 15°, 18°, 20° AND 22°

INCLINED ASSEMBLY CI														
d1	d2	L2	j	h	b	M	L1							
							50	75	100	125	150	175	200	250
12	24	22	17,5	2,5	4	4	●	●	●	●				
16	30	28	22,5	3	6	5		●	●	●	●			
20	38	36	28	4	6	6			●	●	●	●		
25	48	45	36	5	6	8				●	●	●	●	
30	58	55	43	6	8	10					●	●	●	●

Way of order: CI + Angle + Ø Column + Column Length L1

Materials: Base support 1.2312, Column 1.5732 58-60 HRc, Screw 12-9

Please ask for other diameters and lengths different to the ones included in this catalogue.