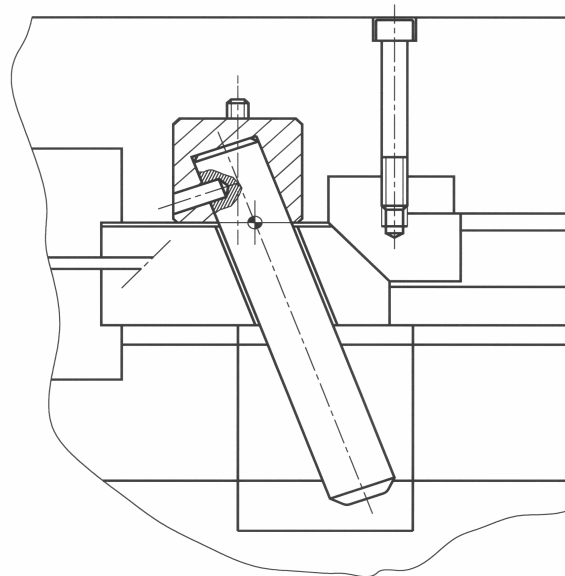




## **INCLINED ASSEMBLY**

During the years of experience in the injection mould sector mechanizations, we have detected the need of products which are able to agilize its mechanization; because of this fact, and given the complexity of making the tilted columns in moulds, we have decided to manufacture these tilted assemblies.

Our standard system allows us to have in stock and ready for immediate delivery an amount of 140 models, with which we expect to greatly cover the existing needs.



The assembly consists of a support in 1.2312 material screwed into the allocation previously made in the mould plate with 2 conical screws fixing and aligning the position of the tilted column out of the support.

Mounting and unmounting operations are made through the front side of the plate, which makes it easy to exchange, when needed. The allocations to make on plates are always straight, so improving its mechanization agility.

By using the BOLEXP tilted assembly, we keep free the down side of the plate through which we can make cooling circuits without interferences.