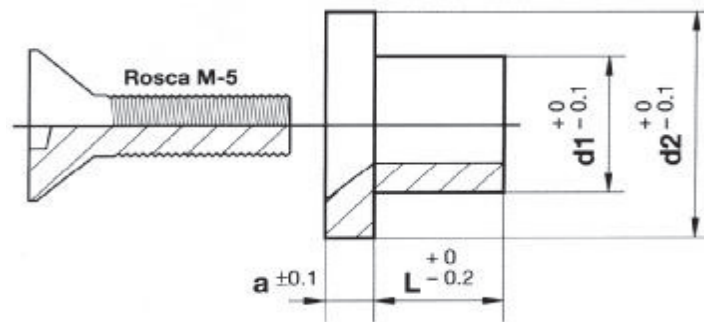




CLAMP



CLAMP				
L	a	d1	d2	Item code
6	3	9	13	B6
8	3	9	15	B8

Materials: Special steel. Hardness: 60 HRc.

Please ask for other diameters and lengths different to the ones included in this catalogue.