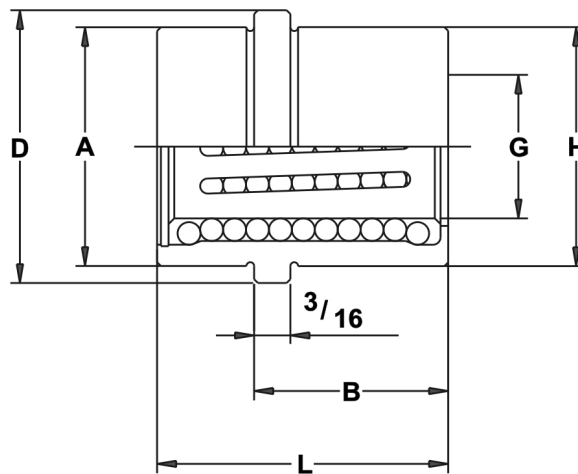




## BALL GUIDED EJECTION BUSHINGS

### INCH SIZES



<b>BOLEXP INCH SIZES</b>							
NOM. I.D.	G	H	A	D	L	B	CATALOG NUMBER
3/4	0.751	<sup>+0.005</sup> <sub>-0.000</sub> 1.2505	<sup>+0.000</sup> <sub>-0.001</sub> 1.2490	<sup>+0.000</sup> <sub>-0.030</sub> 1.427	<sup>+0.000</sup> <sub>-0.030</sub> 1.50	<sup>+0.000</sup> <sub>-0.030</sub> 1.00	<b>BGEB0750</b>
7/8	0.876	<sup>+0.005</sup> <sub>-0.000</sub> 1.3755	<sup>+0.000</sup> <sub>-0.001</sub> 1.3740	<sup>+0.000</sup> <sub>-0.030</sub> 1.552	<sup>+0.000</sup> <sub>-0.030</sub> 1.75	<sup>+0.000</sup> <sub>-0.030</sub> 1.12	<b>BGEB0875</b>
1"	1.001	<sup>+0.005</sup> <sub>-0.000</sub> 1.6255	<sup>+0.000</sup> <sub>-0.001</sub> 1.6240	<sup>+0.000</sup> <sub>-0.030</sub> 1.802	<sup>+0.000</sup> <sub>-0.030</sub> 1.75	<sup>+0.000</sup> <sub>-0.030</sub> 1.12	<b>BGEB1000</b>
1-1/4	1.251	<sup>+0.005</sup> <sub>-0.000</sub> 2.0005	<sup>+0.000</sup> <sub>-0.001</sub> 1.9990	<sup>+0.000</sup> <sub>-0.030</sub> 2.177	<sup>+0.000</sup> <sub>-0.030</sub> 1.75	<sup>+0.000</sup> <sub>-0.030</sub> 1.12	<b>BGEB1250</b>
1-1/2	1.501	<sup>+0.005</sup> <sub>-0.000</sub> 2.5005	<sup>+0.000</sup> <sub>-0.001</sub> 2.4990	<sup>+0.000</sup> <sub>-0.030</sub> 2.687	<sup>+0.000</sup> <sub>-0.030</sub> 2.25	<sup>+0.000</sup> <sub>-0.030</sub> 1.62	<b>BGEB1500</b>

**Materials:** Special steel bush. Bronze cage with high resistance to wear.  
High-precision balls. Hardness: 60-62 HRc.

Please ask for other diameters and lengths different to the ones included in this catalogue.