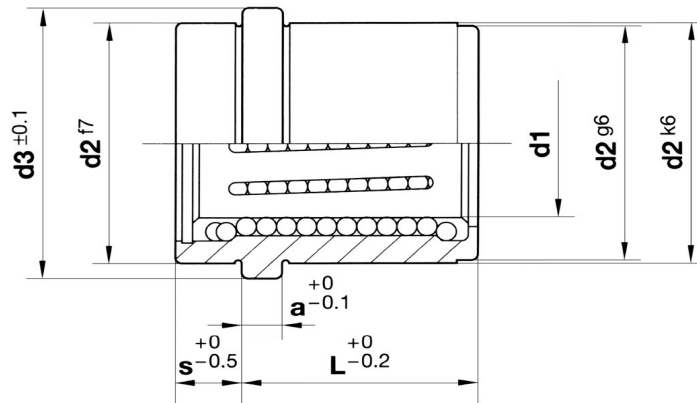




BUSH REF. 852 (stainless steel)



BOLEXP 852								
d1	L	d2	d3	a	s	Ø bola	Number of lines	Item Code
12	22	24	28	6	8	3	5	B8521222
16	22	30	32	6	8	3	6	B8521622
20	26	32	36	6	9	3	6	B8522026
25	26	40	45	6	9	3	8	B8522526

Materials: Stainless steel bush 1.2083.
Anodized aluminium cage
High-precision balls stainless steel,
Hardness: 54-56 HRc.

Please ask for other diameters and lengths different to the ones included in this catalogue.