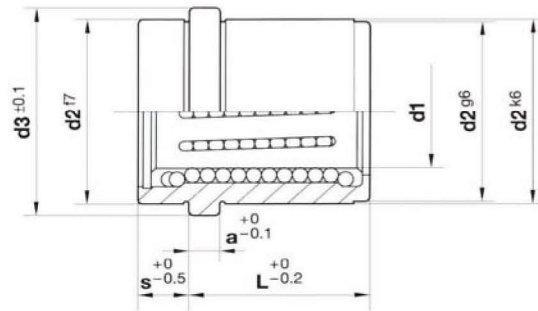


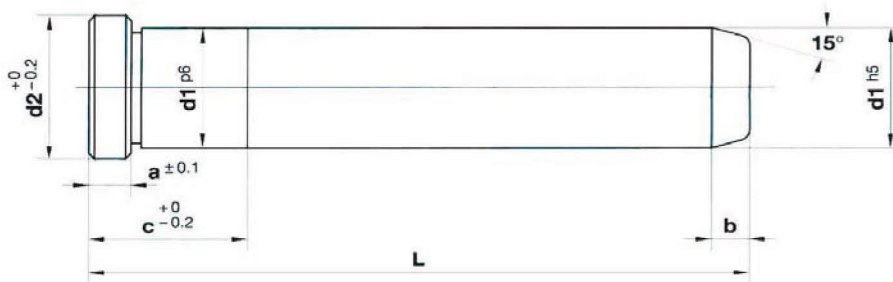
## BUSH REF. 852 (stainless steel)



BOLEXP 852									
d1	L	d2	d3	a	s	Ø ball	Number of lines	Item code	
12	22	24	28	6	8	3	5	B8521222	
16	22	28	32	6	8	3	6	B8521622	
20	26	32	36	6	9	3	6	B8522026	
25	26	40	45	6	9	3	8	B8522526	

**Materials:** Stainless steel bush 1.2083.  
Anodized aluminium cage  
High-precision balls stainless steel,  
Hardness: 54-56 HRc.

## COLUMN REF. 858 (stainless steel)



BOLEXP 858						
d1	L	d2	a	b	c	Item code
12	80	16	4	4	16	B85812080
12	100	16	4	4	16	B85812100
16	100	20	6	6	20	B85816100
16	125	20	6	6	20	B85816125
20	125	24	6	6	22	B85820125
20	160	24	6	6	22	B85820160
25	160	30	6	6	25	B85825160
25	200	30	6	6	25	B85825200

**Materials:** 1.4125 Hardness: 58-60 HRc.

Please ask for other diameters and lengths different to the ones included in this catalogue.