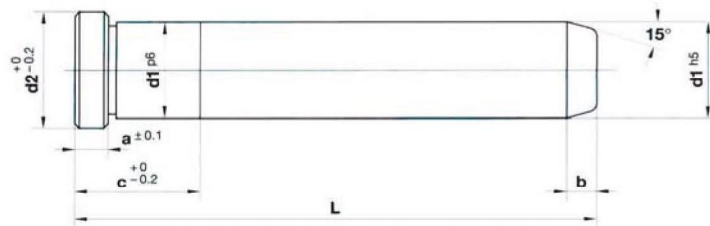


COLUMN REF. 828

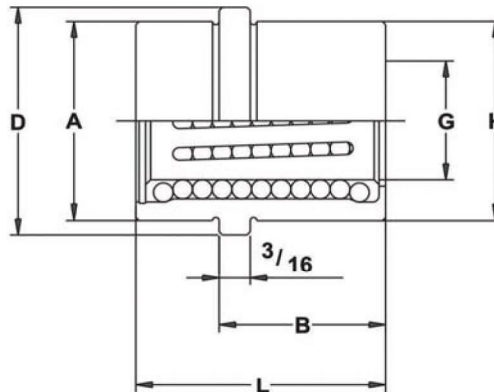


BOLEXP 828						
d1	L	d2	a	b	c	Item Code
12	80	16	4	4	17	B82812080
12	100	16	4	4	17	B82812100
12	120	16	4	4	17	B82812120
12	140	16	4	4	17	B82812140
18	100	22	6	7	22	B82818100
18	120	22	6	7	22	B82818120
18	140	22	6	7	22	B82818140
18	160	22	6	7	22	B82818160
18	200	22	6	7	22	B82818200
24	160	28	6	7	27	B82824160
24	200	28	6	7	27	B82824200
24	240	28	6	7	27	B82824240
24	300	28	6	7	27	B82824300
30	160	36	6	7	36	B82830160
30	200	36	6	7	36	B82830200
30	240	36	6	7	36	B82830240
30	300	36	6	7	36	B82830300

Materials: Steel 5732. Hardness: 62-64 HRC.

BALL GUIDED EJECTION BUSHINGS

INCH SIZES



BOLEXP INCH SIZES							
NOM. I.D.	G	H +0.005 -0.000	A +0.000 -0.001	D +0.000 -0.030	L +0.000 -0.030	B +0.000 -0.030	CATALOG NUMBER
3/4	0.751	1.2505	1.2490	1.427	1.50	1.00	BGEB0750
7/8	0.876	1.3755	1.3740	1.552	1.75	1.12	BGEB0875
1"	1.001	1.6255	1.6240	1.802	1.75	1.12	BGEB1000
1-1/4	1.251	2.0005	1.9990	2.177	1.75	1.12	BGEB1250
1-1/2	1.501	2.5005	2.4990	2.687	2.25	1.62	BGEB1500

Materials: Special steel bush. Bronze cage with high resistance to wear.
High-precision balls. Hardness: 60-62 HRC.

Please ask for other diameters and lengths different to the ones included in this catalogue.