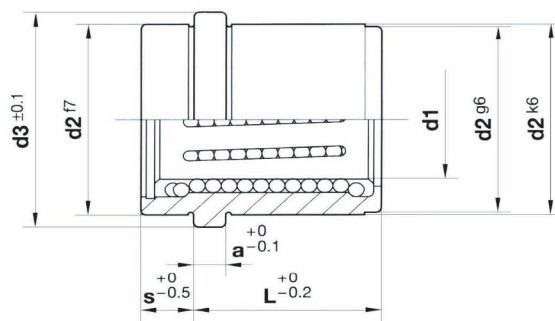


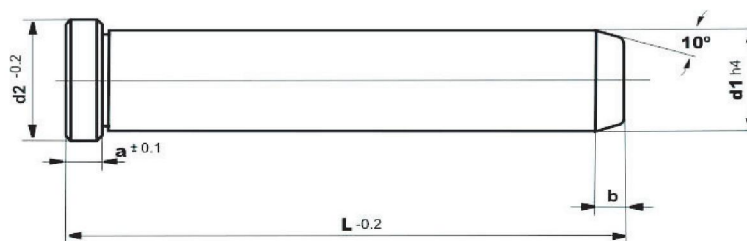
BUSH REF. 812



BOLEXP 812								
d1	L	d2	d3	a	s	Ø bola	Number of lines	Item code
12	20	22	26	6	6	2,5	6	B8121226
18	24	30	35	6	11	3	6	B8121835
24	29	38	43	6	16	3	8	B8122445
30	34	46	52	6	21	4	8	B8123055

Materials: Special steel bush. Bronze cage with high resistance to wear. High-precision balls. Hardness: 60-62 HRc.

COLUMN REF. 818



BOLEXP 818					
d1	L	d2	a	b	Item code
12	80	16	4	4	B81812080
12	100	16	4	4	B81812100
12	120	16	4	4	B81812120
12	140	16	4	4	B81812140
18	100	22	6	7	B81818100
18	120	22	6	7	B81818120
18	140	22	6	7	B81818140
18	160	22	6	7	B81818160
18	200	22	6	7	B81818200
24	160	28	6	7	B81824160
24	200	28	6	7	B81824200
24	240	28	6	7	B81824240
24	300	28	6	7	B81824300
30	160	36	6	7	B81830160
30	200	36	6	7	B81830200
30	240	36	6	7	B81830240
30	300	36	6	7	B81830300

Materials: Steel 5732. Hardness: 62-64 HRc.

Please ask for other diameters and lengths different to the ones included in this catalogue.