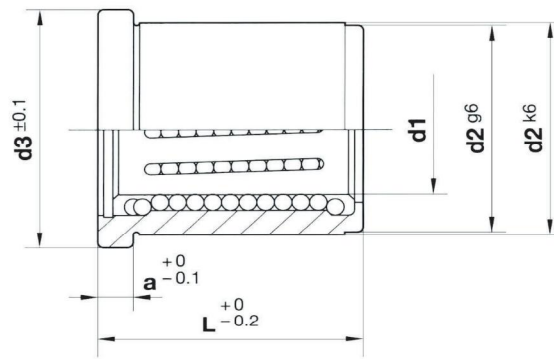


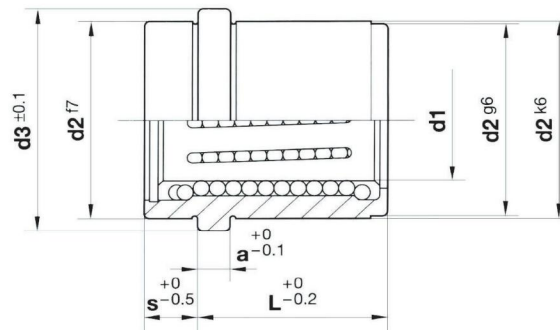
## BUSH REF. 801



BOLEXP 801							
d1	L	d2	d3	a	Ø ball	Number of lines	Item code
20	35	32	36	6	3	6	B8012035
25	35	40	45	6	3	8	B8012535
25	45	40	45	6	3	8	B8012545
25	55	40	45	6	3	8	B8012555
32	45	50	56	8	4	8	B8013245
32	63	50	56	8	4	8	B8013263
40	45	60	66	8	4	8	B8014045
40	63	60	66	8	4	8	B8014063

**Materials:** Special steel bush. Bronze cage with high resistance to wear. High-precision balls. Hardness: 60-62 HRc.

## BUSH REF. 802



BOLEXP 802								
d1	L	d2	d3	a	s	Ø ball	Number of lines	Item code
8	12	18	21	3	6	2	5	B8020812
10	12	20	24	4	9	2.5	5	B8021012
12	22	24	28	6	8	3	5	B8021222
16	22	28	32	6	8	3	6	B8021622
16	26	28	32	6	9	3	6	B8021626
20	26	32	36	6	9	3	6	B8022026
20	35	32	36	6	9	3	6	B8022035
25	26	40	45	6	9	3	8	B8022526
25	35	40	45	6	10	3	8	B8022535
25	45	40	45	6	10	3	8	B8022545
25	55	40	45	6	10	3	8	B8022555
32	45	50	56	8	12	4	8	B8023245
32	63	50	56	8	12	4	8	B8023263
40	45	60	66	8	12	4	8	B8024045
40	63	60	66	8	12	4	8	B8024063
50	55	70	76	10	25	4	10	B8025055
60	55	85	91	10	25	4	12	B8026055

**Materials:** Special steel bush. Bronze cage with high resistance to wear. High-precision balls. Hardness: 60-62 HRc.

Please ask for other diameters and lengths different to the ones included in this catalogue.